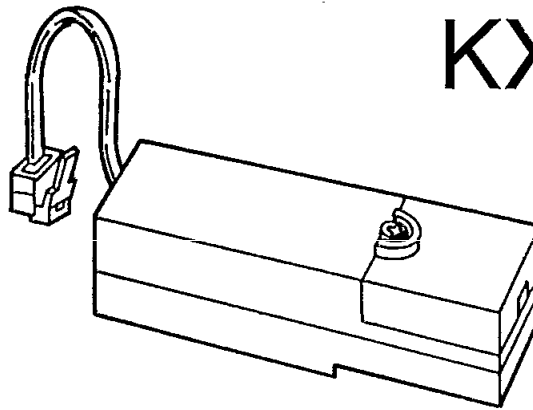


Service Manual

DOOR OPENER ADAPTOR

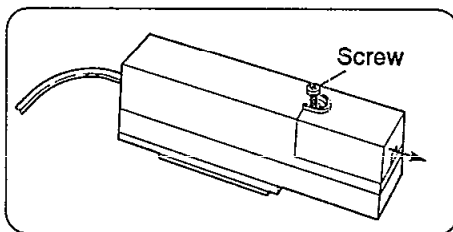
KX-T30866E

(for United Kingdom)

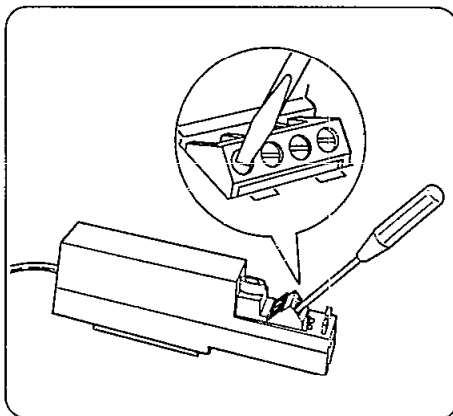


INSTALLATION

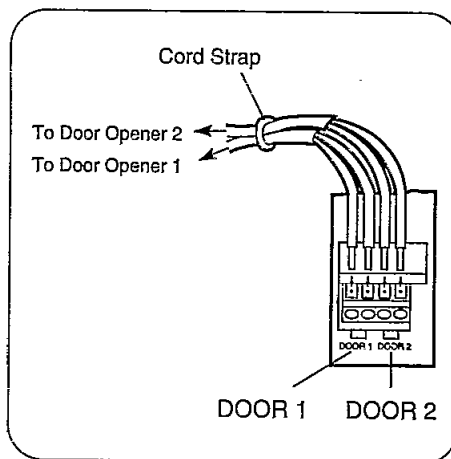
- 1** Loosen the screw and remove the cover.



- 2** Loosen the screws.



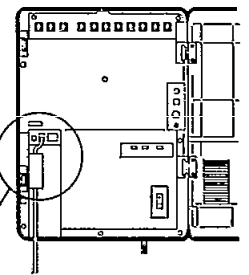
- 3** Insert the wires coming from the door openers into holes and tighten the screws, then secure the cords with the cord strap (included.)



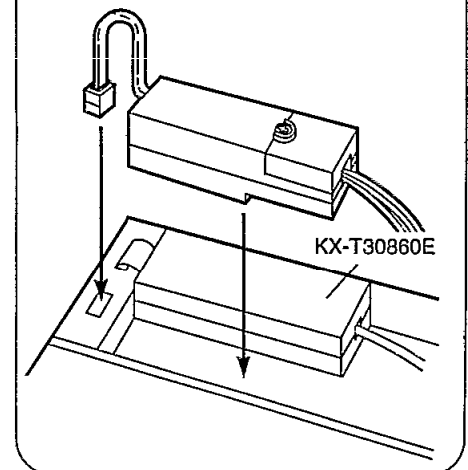
- 4** Put back the cover as before and tighten the screw.

- 5**

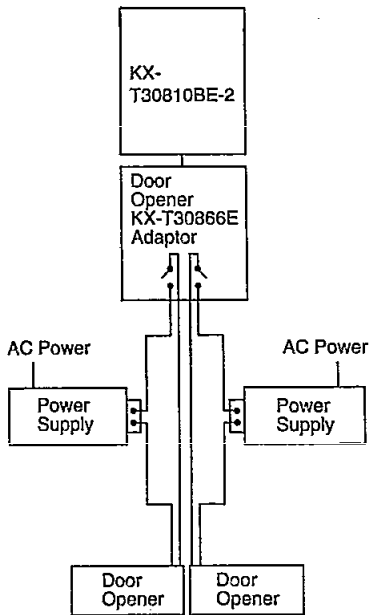
Connecting to KX-T30810BE-2



Door Opener Adaptor (KX-T30866E)



Panasonic



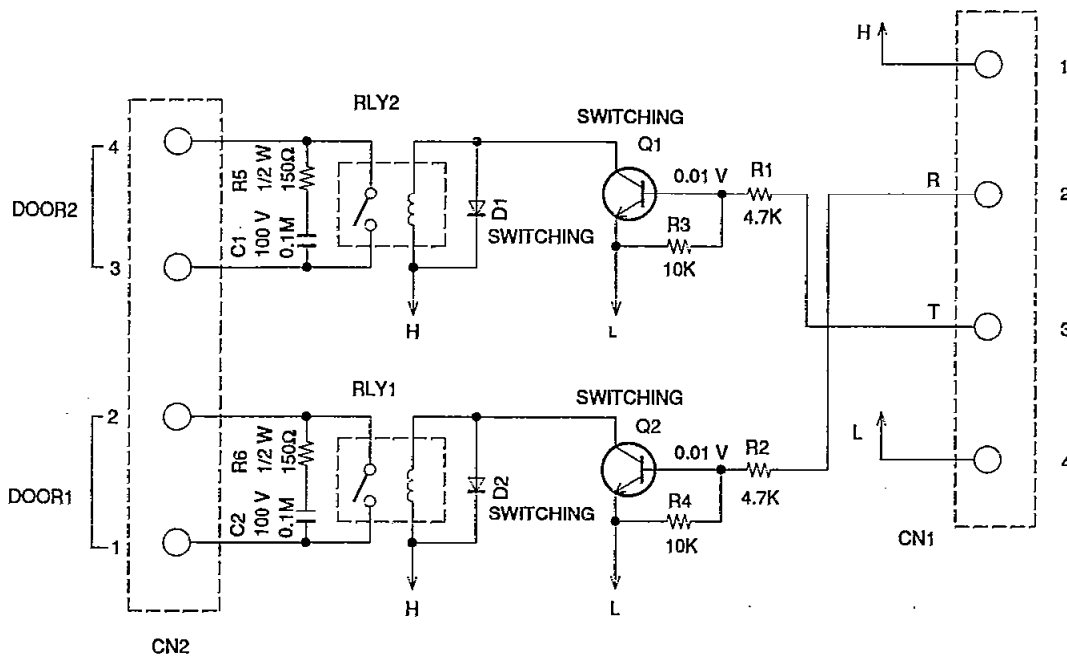
Note:

- Power supply, Door Opener and Wiring are not included of the Door Opener Adaptor, KX-T30866E.
- For wiring, it is recommended to use AWG22 twisted wire or thicker wire.
- The relay contact is able to operate with MAX 50V AC, 1A or MAX 30V DC, 1A.
- Doorphone 1 must be paired with Door Opener 1 and the same with Doorphone 2 and Door Opener 2.

⚠ WARNING

This service information is designed for experienced repair technicians only and is not designed for use by the general public. It does not contain warnings or cautions to advise non-technical individuals of potential dangers in attempting to service a product. Products powered by electricity should be serviced or repaired only by experienced professional technicians. Any attempt to service or repair the product or products dealt with in this service information by anyone else could result in serious injury or death.

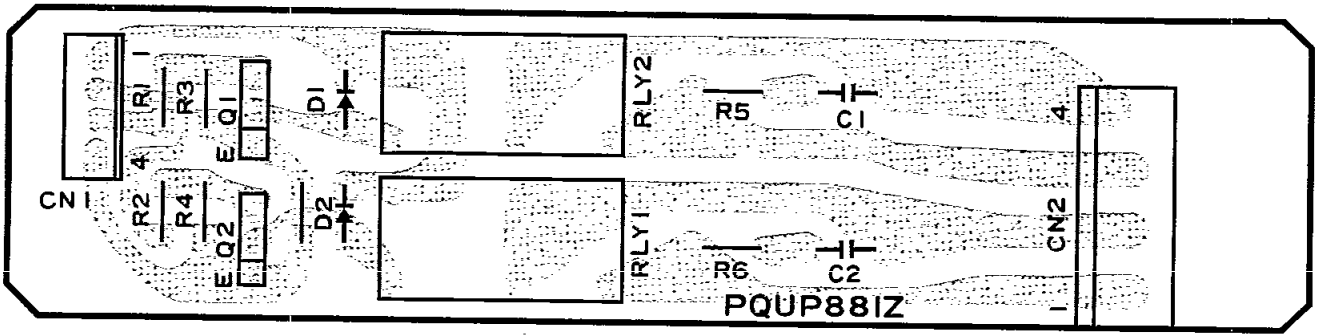
SCHEMATIC DIAGRAM



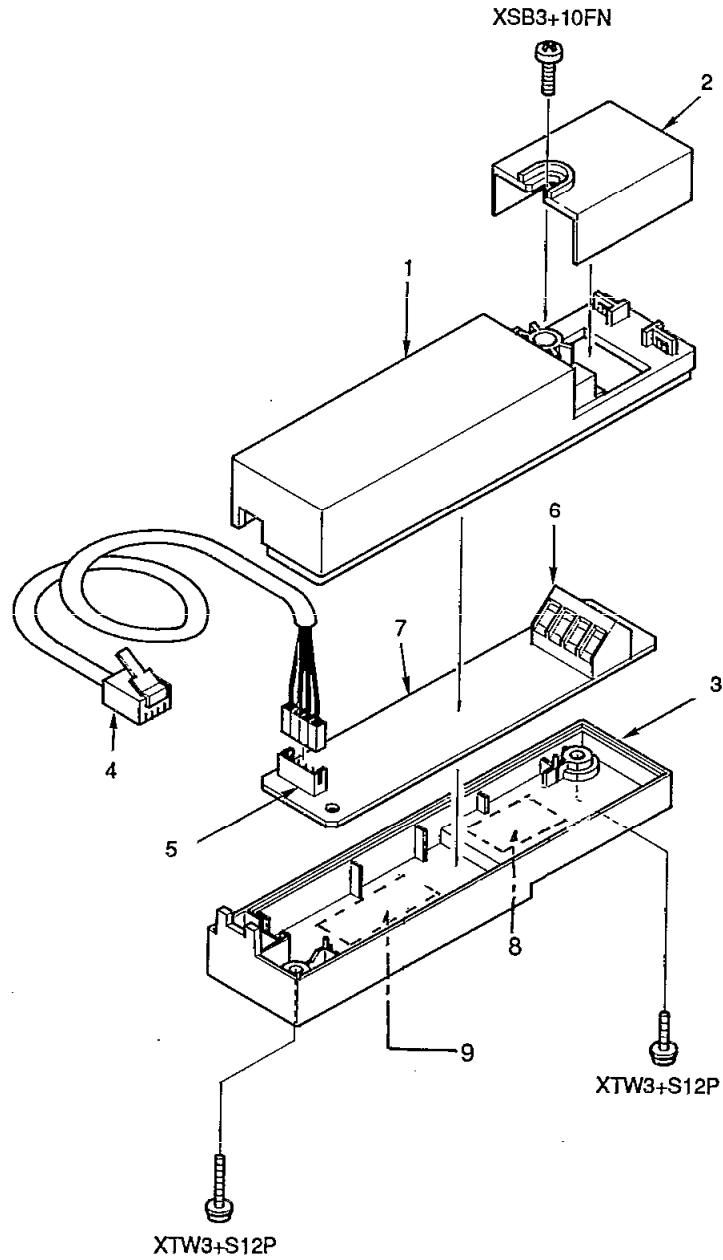
Notes:

1. DC voltage measurements are taken with electronic voltmeter from negative line.
2. The schematic diagram may be modified at any time with the development of new technology.

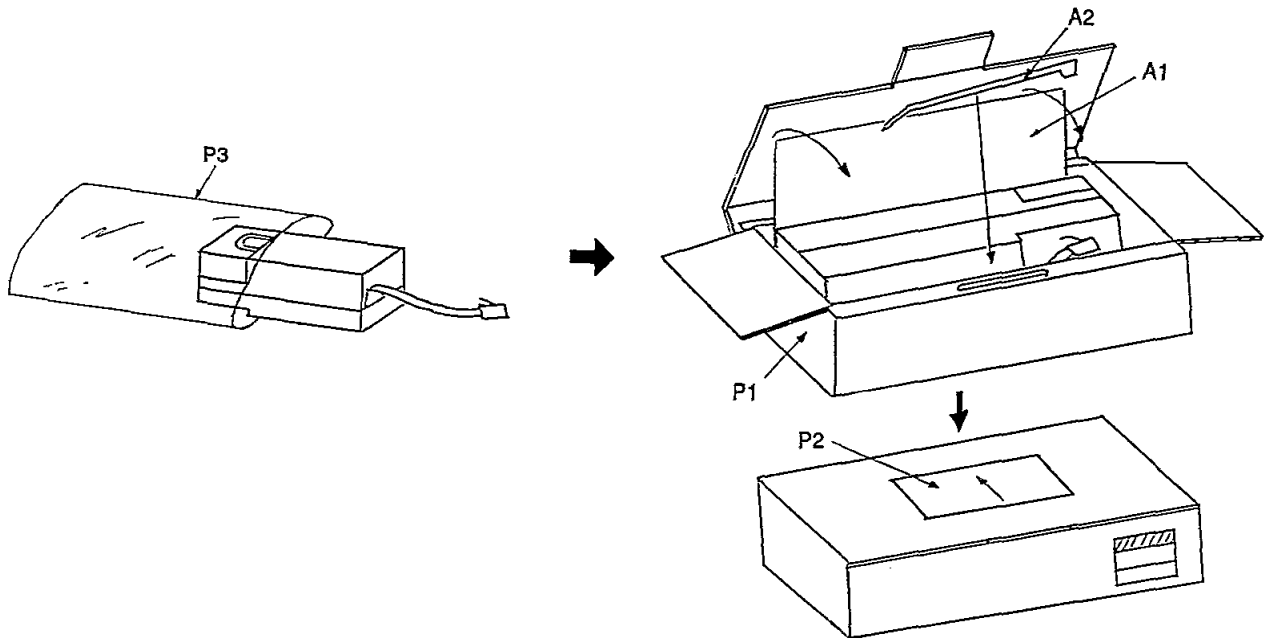
PRINTED CIRCUIT BOARD (COMPONENT VIEW)



CABINET AND ELECTRICAL PARTS LOCATION



ACCESSORIES AND PACKING MATERIALS



REPLACEMENT PARTS LIST

Model KX-T30866E

Notes:

1. The marking (RTL) indicates that the Retention Time is limited for this item. After the discontinuation of this assembly in production, the item will continue to be available for a specific period of time. The retention period of availability is dependant on the type of assembly, and in accordance with the laws governing part and product retention. After the end of this period, the assembly will no longer be available.

2. The S mark indicates service standard parts and may differ from production parts.

3. RESISTORS & CAPACITORS

Unless otherwise specified.

All resistors are in ohms (Ω) k=1000 Ω , M=1000k Ω

All capacitors are in MICRO FARADS (μ F) P= μ μ F

*Type & Wattage of Resistor

Type

ERC:Solid	ERX:Metal Film	PQ4R:Carbon
ERD:Carbon	ERG:Metal Oxide	PQRQ:Fuse
PQ4R:Chip	ERO:Metal Film	ERF:Wire Wound

Wattage

10,16,18:1/8W	14,25,S2:1/4W	12,50,S1:1/2W	1:1W	2:2W	3:3W
---------------	---------------	---------------	------	------	------

*Type & Voltage of Capacitor

Type

ECFD:Semi-Conductor	ECCD,ECKD,PQCBC: Ceramic
ECQS:Styrol	ECQM,ECQV,ECQG,ECQE: Polyster
PQCBX,ECUV:Chip	ECEA,ECSZ:Electrolytic
ECMS:Mica	ECQP:Polypropylene

Voltage

ECQ Type	ECQG ECQV Type	ECSZ Type	Others	
1H: 50V	05: 50V	OF:3.15V	OJ :6.3V	1V :35V
2A:100V	1:100V	1A:10V	1A :10V	50,1H:50V
2E:250V	2:200V	1V:35V	1C :16V	1J :63V
2H:500V		OJ:6.3V	1E,25:25V	2A :100V

Ref. No.	Part No.	Part Name & Description	Pcs
TRANSISTORS AND DIODES			
Q1,2	2SC1740S	Transistor (Si)	2
D 1	1SS131	Diode (Si)	1
D 2	1SS131	Diode (Si)	1
RELAYS			
RLY 1	PQSL92Z	Relay	1
RLY 2	PQSL92Z	Relay	1
CABINET AND ELECTRICAL PARTS			
1	PQYF30866MUK	Upper Cabinet Ass'y	1
2	PQKE79Z	Cover	1
3	PQKM188Z	Lower Cabinet	1
4	PQJA186Z	Cord	1
5	PQJP4G37Z	Connector, 4P (CN1)	1
6	PQJT976Z	Terminal	1
7	PQWP30866MUK	P.C. Board Assembly (RTD)	1
8	PQGT10642Z	Name Plate	1
9	PQHS930Z	SHEET	1
ACCESSORY AND PACKING MATERIALS			
A 1	PQQX10649ZUK	Instruction Book	1
A 2	PQHR9287Z	Band	1
P 1	PQPK1029ZUK	Gift Box	1
P 2	PQQA10212Y	Model No. Label	1
P 3	XZB10X17A03	Protection Cover	1
CAPACITORS			
C1	ECQE1104KN	0.1	1
C2	ECQE1104KN	0.1	1
RESISTORS			
R 1	ERDS2TJ472	4.7k	1
R 2	ERDS2TJ472	4.7k	1
R 3	ERDS2TJ103	10k	1
R 4	ERDS2TJ103	10k	1
R 5	ERDS2TJ151	150	1
R 6	ERDS2TJ151	150	1