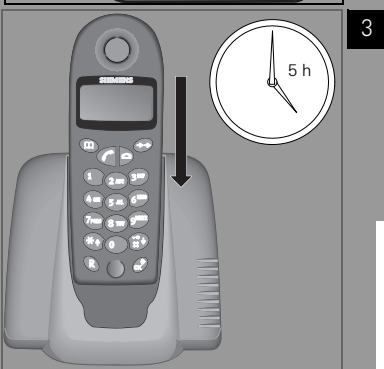
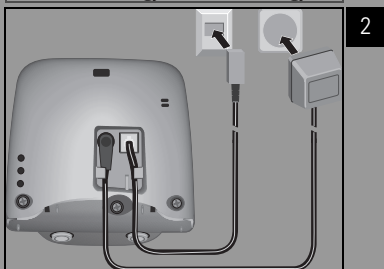
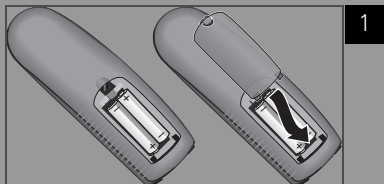


Putting the phone into operation



SIEMENS

Be inspired

Gigaset


200

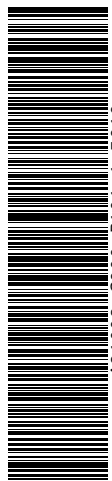


DECT
DIGITAL



User guide

and safety information 



A31008-G200-B101-1-7619

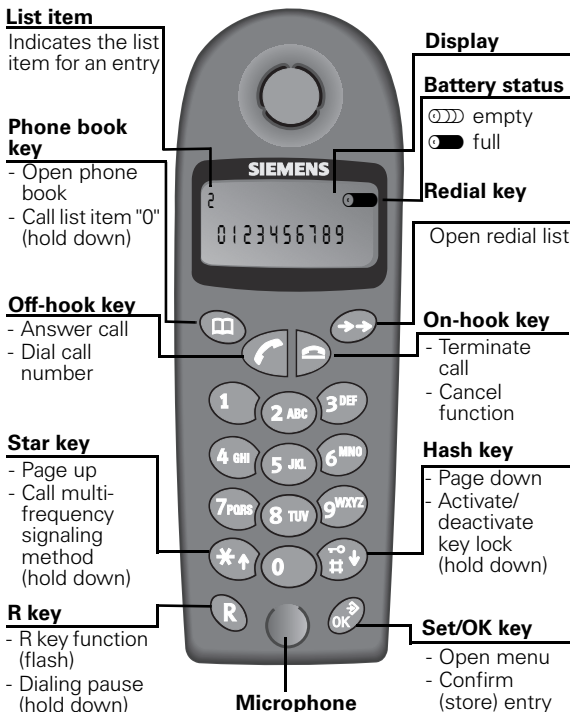
Issued by
Information and Communication mobile
Haidenauplatz 1
D-81667 Munich

© Siemens AG 2001
All rights reserved. Subject to availability.
Right of modification reserved.
Printed in Germany. (09/2001)

Siemens Aktiengesellschaft
<http://www.my-siemens.com>

Order no.A31008-G200-B101-1-7619

Brief overview of the handset



Display symbols and special characters

✳	Star (*)	R	R key
#	Hash (#)	P	Pause Hold down R key
🔒	Key lock	<NUMBER>	Phone list empty

Congratulations



on purchasing your Siemens Gigaset!

In order to be able to use your phone with ease, read the following pages to find out how it works.

Safety information



Use **only the plug-in power supply unit provided**, as indicated on the bottom of the device.



Use only **approved, rechargeable batteries of the same type**. In other words, never use conventional (non-rechargeable) batteries, since these can injure you and damage your health.



Do not position the device **in the immediate vicinity of other devices** such as hi-fi systems, televisions, microwave ovens or office equipment. This could cause mutual interference.



Ensure that you insert the rechargeable batteries with the correct polarity and that you use the type of battery specified in this user guide (note the sign in the battery compartments of the handset).



The operation of medical equipment may be affected. Bear in mind the technical requirements of the environment (e.g. doctor's office).



The handset can cause an unpleasant buzzing sound in hearing aids. Do not hold the handset too close to your ear.



Do not set up the base unit in bathrooms or shower rooms.



Do not use the phone in potentially explosive environments (e.g. paint shops).



Do not pass your Gigaset on to a third party without the user guide.



Dispose of batteries and your phone in an environment-friendly manner.



Not all the functions described in this user guide are available in all countries.

Contents

Brief overview of the handset	2
Safety information	4
Putting your phone into operation	6
Making a phone call	10
Calling	10
Accepting a call	10
Redialing	10
Displaying the caller's number (CLIP)	11
Activating/deactivating the key lock	11
Phone book	12
Registering the handset with the base unit	13
Settings of the handset	15
Volumes and tunes	15
Changing the display language	16
Resetting the handset to the factory defaults	16
Settings of the base unit	18
Signaling method	18
Flash times („R key“)	18
Pulse/no-pulse ratio	19
Deactivating and reactivating automatic attenuation equalization	19
Resetting the base unit to the factory defaults	20
Appendix	21
Caring for your phone	21
Troubleshooting	21
Range	22
Guarantee	22
Service	23
Menu overview	24
Index	26

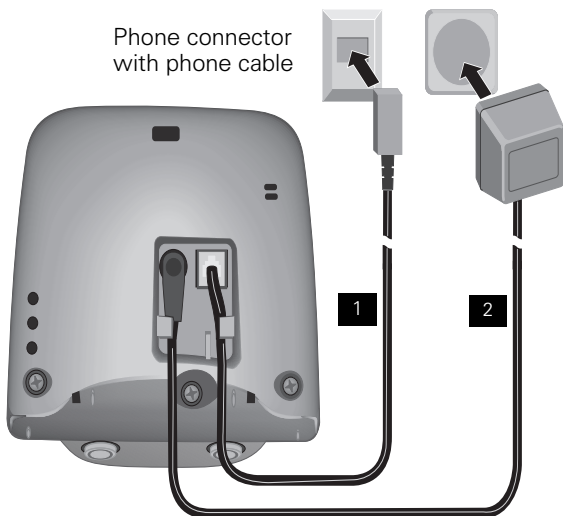
Please also note the index– page 26!

Putting your phone into operation

Step 1: Connect up the base unit

For the analog landline network

Plug-in power supply unit with power cable (220/230 V)*



1

- Insert the small connector of the **line cord** into the socket (engages).
- Insert the cable in the cable duct.
- Insert the phone connector in the phone socket.

2

- Insert the small connector of the **power cable** into the socket.
- Insert the cable in the cable duct.
- Plug the 3-pin adaptor into a mains power socket and switch on.

*Country-specific



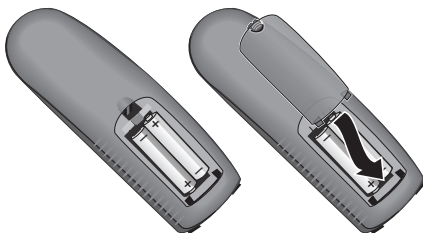
- Use **only the plug-in power supply unit provided**, as indicated on the bottom of the base unit.
- Important: new phone cable. Use only the enclosed cable type.
- If you purchase another cable, ensure that it has the correct connector pin assignment.

Step 2: Put the handset into operation



The display is protected by a plastic foil.
Please remove the protective foil.

Inserting the batteries



- Insert the batteries with the **correct polarity** – see figure.
- Put the lower end of the battery compartment cover in position (see arrow), and press against the ribbing at the top until it engages.
- **To open it**, lift the cover by the ribbing.



- Use only **approved, rechargeable batteries of the same type**. Otherwise you risk damaging your health and the product.
- Do not use charging units belonging to other devices because they could damage the batteries.

Step 3: Place the handset on the base unit



In order to make calls, you need to register your handset with the base unit (to make it known to it). The following text appears on the display: "SEARCH BASE". Put the handset on the base unit with the **display visible**. The following text appears on the display: "REGISTER HS".

It takes around **a minute** for the handset to be registered with the base unit. The idle display (battery symbol) appears instead of the display "REGISTER HS".

Step 4: Charge the batteries



Leave the handset on the base unit for around five hours in order to charge the batteries. A charging indicator on the handset shows that the batteries are being charged:

Batteries empty
(symbol flashes)

Batteries 1/3
charged

Batteries 2/3 charged

Batteries full

Your phone is now ready for operation; you can start calling.

Note on the battery



- After the batteries are charged for the first time, you can put the handset back on the base unit again after each call. Charging is controlled electronically. This ensures that the batteries are charged optimally and economically.
- The batteries become warm during charging; this is normal and not dangerous.
- The charging status of the batteries is only displayed correctly after an uninterrupted charging/discharging process. You should therefore avoid opening the battery compartment unnecessarily.

Recommended batteries

Nickel cadmium (NiCd)	Nickel-metal hybrid (NiMH)
Sanyo N-3U (700 mAh)	Saft RH 6 NiMH 1300 (1300 mAh)
Mobile Power 700 (700 mAh)	Panasonic HHR-110 AA (1100 mAh)
Panasonic 600 DT (600 mAh)	Panasonic Pro+ 1500 (1500 mAh)
Emmerich 700 (700 mAh)	Sanyo HR-3U (1600 mAh)
	GP GP130 AAHC (1300 mAh)
	Varta Phone Power (1300 mAh)
	Emmerich 1300 (1300 mAh)

Operating times/charging times

Capacity (mAh)	Standby time (hours)	Talk time (hours)	Charging time (hours)
700	Up to 200 (8 days)	Over 10	Approx. 5
1200	Up to 320 (13 days)	Over 17	Approx. 9
1600	Up to 400 (16 days)	Over 23	Approx. 12



The first time you charge the batteries, we recommend an uninterrupted charging time as specified in the table, regardless of the charging status displayed.

The charging capacity of the batteries decreases as the years go by due to technical reasons.

Making a phone call

Calling



Enter the call number.



Press the off-hook key.






Press the on-hook key to terminate the call

or



place the handset on the base unit.



- You can also press the off-hook key  **first** and **then** enter the call number – each digit is selected immediately.
- You can press the on-hook key  to cancel dialing.
- You can use the  key to enter a dialing pause (hold it down). This is important for foreign connections, for example.

Accepting a call

Your phone rings (ringing tone).



Press the off-hook key to accept the call.

Redialing

Your handset automatically saves the last five call numbers selected.



Press the redial key. The redial list appears.



Select the desired call number.



Press the off-hook key – the call number is dialed.

Displaying the caller's number (CLIP)

The prerequisites for this function are as follows:

- You must have applied for CLIP from your network provider.
- The network provider must support call number display (CLIP).
- The call number must be transmitted when the caller calls.

When a call is made, the call number appears on the display (example).




If the call number consists of more than twelve digits, an omission mark appears at the beginning of the line (--).

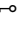

If the call number is not displayed, the following appear:

- If you have not applied for CLIP.
- « » If the display of the number is "suppressed" by the caller or if the caller has not applied for call number transmission.

Activating/deactivating the key lock


If you "lock" the keys, any inadvertent touching of the keys remains without effect. In order to answer an incoming call, press the off-hook key .



To activate the lock, hold down the key – you will here an acknowledgment tone*. The  symbol appears on the display. To deactivate the lock, hold down the  key again. The symbol disappears.

* Acknowledgment tone = ascending sequence of tones
 Error tone = descending sequence of tones

Phone book

The **phone book**  makes it easier to dial ten call numbers. A maximum of 22 digits are possible for each entry.

Storing a new entry



Open the phone book.



Select and confirm your desired item from the list.



Enter the call number.



Confirm your entry.

Changing an entry



Open the phone book.



Select and confirm the desired call number.



Change the call number.



Confirm your entry.

Using the phone book to dial



Open the phone book.



Page to the desired entry.




Press the off-hook key.
The call number is dialed.



If no number is stored, **<NUMBER>**.

Rapid dialing with the key

If you hold down the  key, the number stored under the list item "0" is selected. To dial it, press the off-hook key. It is therefore advisable to store a number you dial frequently under "0" (e.g. the access number of a network provider).

Registering the handset with the base unit

In order to make calls with your handset, you need to register it with the base unit. This happens automatically the first time you use a handset.



Only one handset can be registered at any one time.

Automatic registration: Gigaset 200 handset to Gigaset 200 base unit

To find out how to register your handset with the base unit (i.e. make it known to it), refer to "**Step 3**" after (see page 8).

Manual registration: Gigaset 200 handset to Gigaset 200 base unit

Manual registration is necessary when:

- Automatic registration is not completed successfully.
- The handset provided is replaced.

Step 1:



Open the menu.



REGISTER HS



Select and confirm.

BASE



Confirm.

Step 2:

Place the handset on the base unit.
After being successfully registered with the base unit,
the handset returns to the idle state.

Manual registration: Gigaset 200 handset to other GAP base units

Step 1:

Put the base unit on standby for registration (see the user guide for the base unit).

Step 2:



Open the menu.



REGISTER HS



Select and confirm.



GAP 1



Select and confirm. "PIN" appears on the display.



Enter the registration PIN (max. 8 digits) of the GAP base unit that is on standby for registration (e.g. "0000").



Confirm your entry.

After being successfully registered with the base unit, the handset returns to the idle state.

Settings of the handset

You can change the settings of your handset to suit your requirements. The current setting always has a check mark against it.

Volumes and tunes

Receiver volume

There are three settings for the receiver volume.



Open the menu.

HANDBSET VOL

Confirm.



SET LEVEL 2

The receiver volume and the associated number are displayed. Select and confirm the desired setting (1–3).

Ringling tone volume

There are four settings for the ringling tone volume.



Open the menu.



RINGER VOL

Select and confirm.



SET LEVEL 2

The current volume is emitted, and the associated number is displayed. Select and confirm the desired setting (1–4).

Ringling tone tune

There are five different tunes to choose from.



Open the menu.



MELODY

Select and confirm.



MELODY 4

The current tune is emitted, and the associated number is displayed. Select and confirm the desired tune (1–5).

Changing the display language

The menu overview provides orientation here (see page 24).



Open the menu.



LANGUAGE



Select and confirm.






ENGLISH



Select and confirm the desired language (e.g. English).



If you inadvertently set the wrong language (i.e. one you don't understand), you can change the setting by pressing  followed by  on the handset. You can then select the correct language by paging through the menu and confirming it with the  key.

You will find a list of the available languages in the menu overview on page 24.

Resetting the handset to the factory defaults



Open the menu.



HS RESET



Select and confirm.



RESET YES?



Select and confirm.

The handset has the factory defaults again.

or

RESET NO?



select and confirm.



After the handset is reset, it must be replaced on the base unit with the **display visible at the front**, see "**Step 3**" (page 8).

Factory defaults of the handset:

Function	Factory default
Receiver volume	1
Ringling tone volume	3
Ringling tone tune	1
Display language	Country-specific
Redial list	Deleted
Phone book	Deleted
Key lock	Off
Standby for registration	On

Settings of the base unit

Normally, no changes are necessary to settings in the base unit.

Settings in the base unit can be easily changed by using the mobile part if necessary.

Prerequisite:

The handset must be registered with the base unit.

Signaling method

You use this function to change to the pulse signaling method.

Factory default: Multifrequency signaling method.



Press the off-hook key.
The following appears on the display "----" .



Open the menu.

DIAL MODE



Confirm.



PULSE



Select and confirm your desired signaling method

or

STONE



select and confirm.



Press the on-hook key.



If you hold down the key, you **automatically** have multifrequency signaling for the subsequent call.

Flash times („R key“)

This function allows you to change the set flash time (factory default see page 20).



Press the off-hook key.



Open the menu.



TBR



Select and confirm.



180 MS



Select and confirm the desired flash time (80, 100, 120, 180, 250, 300 or 600 ms).



Press the on-hook key.

Pulse/no-pulse ratio

This function changes the pulse/no-pulse ratio (for pulse signaling).



Press the off-hook key.



Open the menu.



PULSE PAUSE



Select and confirm.



2 - 1



Select and confirm the desired pulse/no-pulse ratio.



Press the on-hook key.

Deactivating and reactivating automatic attenuation equalization*

If a device is delivered with automatic attenuation equalization, automatic attenuation equalization is always activated on delivery and should (normally) remain activated.

Automatic attenuation equalization can be deactivated in the following **exceptional** case: when your base unit is connected to a telephone system.



Press the off-hook key.



Open the menu.



AGC



Select and confirm.

AGC OFF



Select and confirm.

or



AGC ON



Select and confirm.



Press the on-hook key.

* Not available in all countries

Resetting the base unit to the factory defaults

The handset remains registered when the base unit is reset.



Press the off-hook key.



Open the menu.



BASE RESET



Select and confirm.



RESET YES?



Select and confirm.

The base unit has the factory defaults again

or

RESET NO?



select and confirm.



Press the on-hook key.

Factory defaults of the base unit:

Function	Factory default
Signaling method	Multifrequency signaling
Flash time	100 ms


Appendix

Caring for your phone

Wipe the base unit and handset with a **damp cloth** or antistatic cloth. **Never** use a dry cloth. There is a risk of static charge.

Troubleshooting

Should your phone not be doing what you want it to do, try to solve the problem yourself with the help of the following list.

Problem	Possible cause	Solution
Nothing appears on the display.	The batteries are empty.	Charge or replace the batteries. (see page 8).
No response to keystroke.	The key lock is switched on.	Hold down the  key.
No radio link to the base unit – the following message appears on the display: "SEARCH BASE".	The handset is outside the range of the base unit. The handset is not registered with the base unit. The base unit is not switched on.	Reduce the distance between the handset and the base unit. Register the handset with the base unit (see page 13). Check the power plug on the base unit (see page 6).
The number of the caller is not displayed in spite of CLIP (see page 11).	Number transmission is disabled.	The caller must apply to the network provider to have his or her number transmitted.

Range

The range outdoors when there are no obstructions is around 200 m. Indoors, ranges of up to 30 m are possible. If you exceed the range, the following message appears on the display: "SEARCH BASE".

Guarantee

Over the guarantee period from the date of purchase from the stockist, Siemens AG will rectify all material or manufacturing defects by repairing or replacing the defective device.

As of 01.01.2002, the European guarantee period will be 24 months (until 31.12.2001: 12 months).

The guarantee does not cover damage caused by improper use, wear and tear or third party access. The guarantee shall not cover consumables or defects which only slightly decrease the value or serviceability of the device.

Warranty giver for United Kingdom:


**Siemens plc, ICM
Siemens House, Oldbury, Bracknell
Berkshire RG12 8FZ**

Warranty giver for Ireland:

**Siemens Limited, ICM
Fitzwilliam Court, Leeson Close
Dublin 2**

Service

United Kingdom:	Siemens hotline Tel.:	08705 334411
Ireland:	Siemens hotline Tel.:	01850777277

 Siemens Service should be contacted if problems arise with the unit. Your specialist dealer will be happy to answer any questions on unit operation. Contact your network provider for questions concerning telephone connections.

Your Gigaset is intended for operation in your country, as depicted on the underside of the base unit. Country-specific features have been taken into account.

The conformity of the device with the essential requirements of the R&TTE directive is confirmed by the CE symbol.

Excerpt from the original declaration:

"We, Siemens AG, declare, that the above mentioned product is manufactured according to our Full Quality Assurance System certified by CETECOM ICT Services GmbH with the registration number "Q810820M" in compliance with ANNEX V of the R&TTE Directive 99/05/EC. The presumption of conformity with the essential requirements regarding Council Directive 99/05/EC is ensured.

Senior Approvals Manager"



The Declaration of Conformity (DoC) has been signed. In case of need, a copy of the original DoC can be made available via the company hotline.

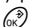
 0682

Menu overview



You can select a menu function more quickly if, rather than paging through the menu, you simply press the relevant keys when the device is in the idle state.


Examples:

To set the **handset**, press  and then call  = display language.

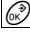




You select the desired language by paging through the menu and confirming it with the  key.




To set the **base unit**, press   and then call  = signaling method.

You select the desired signaling method by paging through the menu and confirming it with the  key. You then press the  key.












 If the language "4 _ 15" is set, the numeric values ("1 _ 1") contained in the menu overview appear on the display

Settings of the handset:

		1_ HANDSET VOL	1_1 SET LEVEL 1	
			1_2 SET LEVEL 2	
			1_3 SET LEVEL 3	
		2_ RINGER VOL	2_1 SET LEVEL 1	
			2_2 SET LEVEL 2	
			2_3 SET LEVEL 3	
			2_4 SET LEVEL 4	
		3_ MELODY	3_1 MELODY 1	
			3_2 MELODY 2	
			3_3 MELODY 3	
			3_4 MELODY 4	
		3_5 MELODY 5		
	4_ LANGUAGE	4_1 GERMAN		4_9 NORWEGIAN
		4_2 ENGLISH		4_10 SWEDISH
		4_3 FRENCH		4_11 FINNISH
		4_4 ITALIAN		4_12 CZECH
		4_5 SPANISH		4_13 POLISH
		4_6 PORTUGUESE		4_14 TURKISH
		4_7 DUTCH		4_15 4_15
		4_8 DANISH		

	5_ HS RESET	5_0 RESET NO?
		5_1 RESET YES?
		
	6_ REGISTER HS	6_1 BASE
		6_2 GAP 1
		6_3 GAP 2

Settings of the base unit:

			1_ DIAL MODE	1_1 TONE	
				1_2 PULSE	
					
			2_ TBR	2_80 MS	80 MS
				2_ [..] MS	[..] ms
				2_600 MS	600 MS
					
			3_ BASE RESET	3_1 RESET NO?	
				3_2 RESET YES?	
					
			4_ PULSE PAUSE	4_1_5 - 2	1_5 - 1
				4_2 - 1	2 - 1
					
			5_ AGC*	5_0 AGC OFF	
				5_1 AGC ON	

* Not available in all countries

Index

A

- Acknowledgment tone 11, 19
- Activating
 - automatic attenuation equalization 19
 - key lock 11
- Answering a call 10
- Automatic attenuation equalization 19
- Automatic registration 13

B

- Base unit
 - connecting up 6
 - resetting to factory defaults 20
- Batteries
 - charging 8
 - inserting 7
 - recommended batteries 9
- Brief overview 2

C

- Call
 - answering 10
 - terminating 10
- Call number
 - changing 12
 - dialing 10
 - displaying (CLIP) 11
 - redialing 10
 - storing 12
- Calling 10
- Canceling (a function) 2
- Caring for your phone 21
- Changing 16
- Charging indicator 8
- Charging times and capacity 9
- Check mark (on the display) 15
- CLIP (call number display) 11
- Connector pin assignment 6

D

- Deactivating
 - automatic attenuation equalization 19
 - key lock 11
- Dialing 10
- Display 2
- Display language 16
- Display symbols 2

E

- Entry (phone book) 12
- Error tone 11, 19

F

- Factory defaults
 - of the base unit 20
 - of the handset 16
- Flash times 18

G

- GAP base units 14
- Guarantee 22

H

- Handset
 - disabling 11
 - putting into operation 7
 - resetting to factory defaults 16
- Hearing aids 4
- Help with problems 21

I

- Idle display 8

K

- Key lock 11
- Keys 2

L

- Language (display) 16
- List item 2, 12

M

- Manual registration 13
- Medical equipment 4
- Menu overview 24
- Multifrequency signaling method 18

N

- Network provider 11
- New entry (phone book) 12
- Number, see call number 11

O

- Operating times 9
- Operation, putting your phone into 6

P

- Pause 10
- Phone book 12
 - changing an entry 12
 - dialing a call number 12
 - storing a new entry 12
- Phone cable 6
- Phone connector 6
- Phone, putting into operation 6
- Phoning
 - answering a call 10
 - calling 10
- Plug-in power supply unit 6
- Power cable 6
- Protective foil 7
- Pulse signaling method 18
- Pulse/no-pulse ratio 19

R

- Range 22
- Rapid dialing 12
- Receiver volume 15
- Redialing 10
- Registration (handset)
 - automatically 13
 - manually 13
 - to other GAP base units 14
- Ringing tone 15
- Ringing tone tune 15
- Ringing tone volume 15

S

- Safety information 4
- Service 23
- Settings
 - display language 16
 - of the base unit 25
 - of the handset 15, 24
- Settings of the base unit 18
- Signaling method 18
- Special characters 2
- Symbols 2

T

- Troubleshooting 21
- Tune 15

V

- Volume 15